



## Installation Instructions & Owner's Manual

# ONE™

*Cartridge Tank Filters*



# TABLE OF CONTENTS

<b>Pre-installation Instructions</b> .....	3
<b>Bypass Valve</b> .....	4
<b>CW-840-1</b>	
<hr/>	
<b>Installation Instructions</b> .....	5
<b>Cartridge Replacement Instructions</b> .....	7
<b>EF-840-2</b>	
<hr/>	
<b>Installation Instructions</b> .....	8
<b>Cartridge Replacement Instructions</b> .....	9
<b>CW-840-PB Contaminant Reduction System</b>	
<hr/>	
<b>System Requirements</b> .....	10
<b>Installation</b> .....	10
<b>Service Alarm</b> .....	12
<b>Labeling</b> .....	13
<b>Troubleshooting Guide</b> .....	14
<b>Replacement Parts</b> .....	15
<b>Replacement Cartridges</b> .....	16
<b>Installation Fitting Assemblies</b> .....	17
<b>Warranty</b> .....	19

Your ONE™ cartridge tank filters are precision built, high quality products. These units will deliver filtered water for many years to come, when installed and operated properly. Please study this manual carefully and understand the cautions and notes before installing. This manual should be kept for future reference. If you have any questions regarding your water filter, contact your local dealer, or the manufacturer at the following:

1900 Prospect Court • Appleton, WI 54914  
Phone: 920-739-9401 • Fax: 920-739-9406

# PRE-INSTALLATION INSTRUCTIONS

The manufacturer has pre-assembled the cartridge filter tank. The actual cartridge filter is shipped separately and will need to be installed into the tank to complete assembly.

**The dealer** should read this complete guide to familiarize the installer with assembly, installation and operation of the cartridge filter system.

**The owner** should read and become familiar with the cartridge replacement change out instructions.

**NOTE: Dealers and customers in the state of Iowa must complete the form below prior to sale.**

The site selection for the ONE™ Filtration System may vary depending on the purpose it will serve. This versatile filter may be used as pre or post-filtration in a water treatment system. Depending on the application, this system may also be utilized as a single tank system.

Regardless of application, provisions should be made so that the system is located close to a drain. An optional bottom drain is available for these cartridge filter systems to allow rinsing of the cartridge. When replacing the cartridge, water may spill from the housing. Therefore, precautions should be taken to prevent any damage due to water while rinsing or replacing the cartridge.

**NOTE: Do not use with water that is microbiologically unsafe or of unknown quality without adequate disinfection before or after the system. Systems certified for cyst reduction may be used on disinfected waters that may contain filterable cysts.**

## FOR PURCHASES MADE IN IOWA

This form must be signed and dated by the buyer and seller prior to the consummation of this sale. This form should be retained on file by the seller for a minimum of two years.

\_\_\_\_\_  
**Buyer's Name (printed)**

\_\_\_\_\_  
**Buyer's Signature**

\_\_\_\_\_  
**Date**

\_\_\_\_\_  
**Seller's Name (printed)**

\_\_\_\_\_  
**Seller's Signature**

\_\_\_\_\_  
**Date**

# BYPASS VALVE

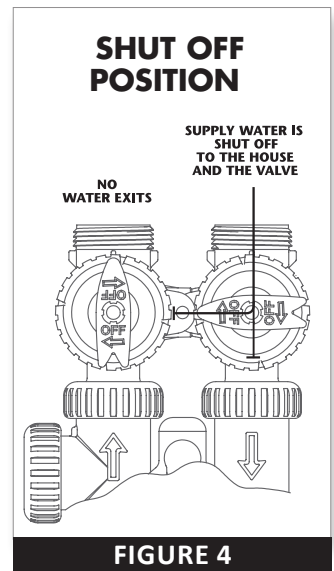
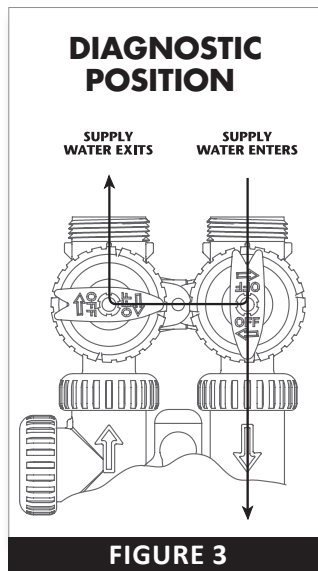
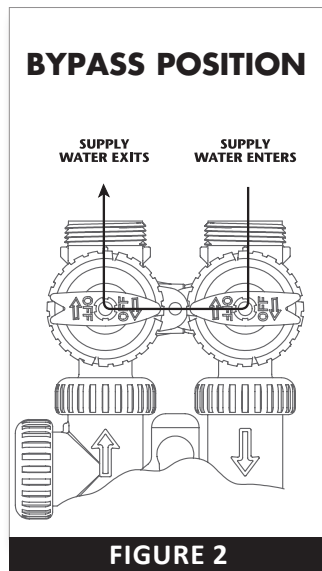
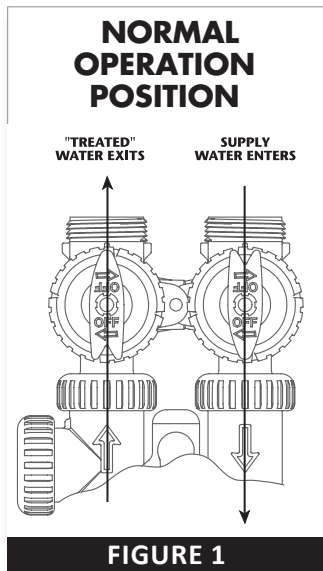
The bypass valve is typically used to isolate the control valve from the plumbing system's water pressure in order to perform control valve repairs or maintenance. The 1" full flow bypass valve incorporates four positions, including a diagnostic position that allows a service technician to have pressure to test a system while providing untreated bypass water to the building. Be sure to install bypass valve onto main control valve, before beginning plumbing. Or, make provisions in the plumbing system for a bypass. The bypass body and rotors are glass-filled Noryl® and the nuts and caps are glass-filled polypropylene. All seals are self-lubricating EPDM to help prevent valve seizing after long periods of non-use. Internal "O" Rings can easily be replaced if service is required.

The bypass consists of two interchangeable plug valves that are operated independently by red arrow shaped handles. The handles identify the direction of flow. The plug valves enable the bypass valve to operate in four positions.

- 1. NORMAL OPERATION POSITION:** The inlet and outlet handles point in the direction of flow indicated by the engraved arrows on the control valve. Water flows through the control valve for normal operation of a water softener or filter. During the regeneration cycle this position provides regeneration water to the unit, while also providing untreated water to the distribution system (**Fig. 1**).
- 2. BYPASS POSITION:** The inlet and outlet handles point to the center of the bypass. The system is isolated from the water pressure in the plumbing system. Untreated water is supplied to the building (**Fig. 2**).
- 3. DIAGNOSTIC POSITION:** The inlet handle points toward the control valve and the outlet handle points to the center of bypass valve. Untreated supply water is allowed to flow to the system and to the building, while not allowing water to exit from the system to the building (**Fig. 3**). This allows the service technician to test the unit and perform other functions without disrupting the water going to the building.

**NOTE:** The system must be rinsed before returning the bypass valve to the normal position.

- 4. SHUT OFF POSITION:** The inlet handle points to the center of the bypass valve and the outlet handle points away from the control valve. The water is shut off to the building. The water treatment system will depressurize upon opening a tap in the building. A negative pressure in the building combined with the unit being in regeneration could cause a siphoning to the building. If water is available on the outlet side of the unit, it is an indication of water bypassing the system (**Fig. 4**) (i.e. a plumbing cross-connection somewhere in the building).



# INSTALLATION INSTRUCTIONS FOR CW-840-1:

## GENERAL INSTALLATION & SERVICE WARNINGS

The control valve, fittings and/or bypass are designed to accommodate minor plumbing misalignments. There is a small amount of "give" to properly connect the piping, but the filter is not designed to support the weight of the plumbing.

Do not use Vaseline, oils, other hydrocarbon lubricants or spray silicone anywhere. A silicone lubricant may be used on black O-rings, but is not necessary. Avoid any type of lubricants, including silicone, on red or clear lip seals.

**Do not use pipe dope or other sealants on threads.** Teflon® tape must be used on the threads of the 1" NPT inlet and outlet, the brine line connection at the control valve, and on the threads for the drain line connection. Teflon® tape is not used on the nut connections or caps because O-ring seals are used. The nuts and caps are designed to be unscrewed or tightened by hand or with the special plastic Service Wrench, #CV3193-02. If necessary, pliers can be used to unscrew the nut or cap. **Do not use a pipe wrench to tighten nuts or caps. Do not place screwdriver in slots on caps and/or tap with a hammer.**

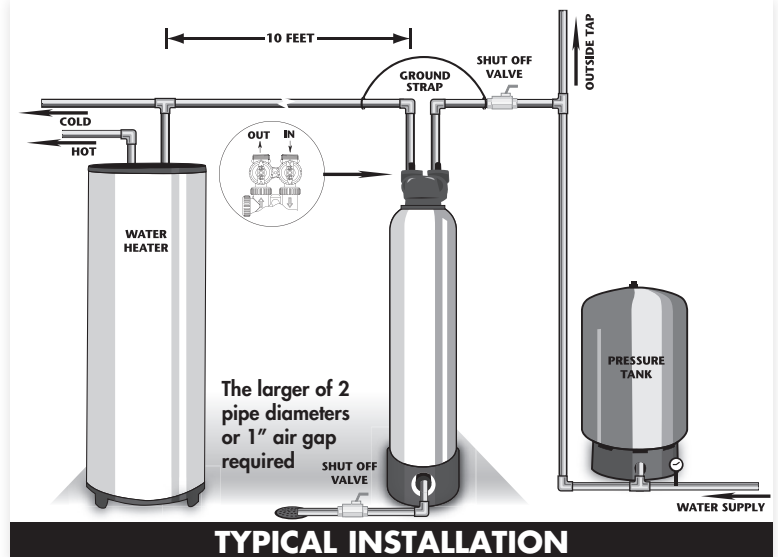
## SITE REQUIREMENTS

- Water Pressure: 25-100 psi
- Water Temperature: 33-100°F (0.5-37.7°C)
- The tank should be on a firm level surface

1. This unit is equipped with a 1" NPT connection at the bottom of the tank. This connection is for an optional drain that may be used to rinse the cartridge filter periodically. If this is installed, location of the tank to the actual drain should be as close as possible. It is highly recommended to install the optional drain for servicing the unit.



**CAUTION:** If a drain is not used or the installation makes this unavailable, the 1" hole must be plugged or water will flow from this outlet.



2. Do not install any water filter with less than 10 feet of piping between its outlet and the inlet of a water heater.
3. Do not locate unit where it or its connections (including the drain) will ever be subjected to room temperatures under 33°F.
4. Do not subject the tank to any vacuum as this may cause an "implosion" and could result in leaking. If there is a possibility a vacuum could occur, please make provisions for a vacuum breaker in the installation.
5. **INLET/OUTLET PLUMBING:** Be sure to install bypass valve onto main control valve before beginning plumbing. Make provisions to bypass any outside hydrant at this time. Install an inlet shutoff valve and plumb to the unit's bypass valve inlet located at the right rear as you face the unit. There are a variety of installation fittings available. They are listed under the installation fitting assemblies section in this manual. When assembling the installation fitting package (inlet and outlet), connect the fitting to the plumbing system first and then attach the nut, split ring, and O-ring. Heat from soldering or solvent cements may damage the nut, split ring, or O-ring. Solder joints should be cool and solvent cements should be set before installing the nut, split ring, and O-ring. Avoid getting solder flux, primer, and solvent cement on any part of the O-ring, split rings, bypass valve, or control valve. If the building's electrical system is grounded to the plumbing, install a copper grounding strap from the inlet to the outlet pipe. Plumbing must be done in accordance with all applicable local codes.

## INSTALLATION INSTRUCTIONS FOR CW-840-1:

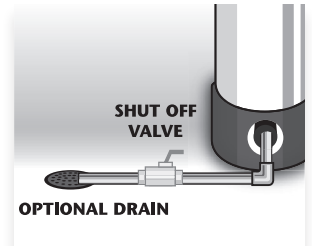
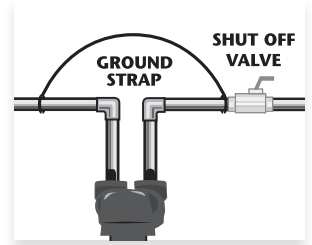
6. **INSTALLING GROUND:** To maintain an electrical ground in metal plumbing of a home's cold water piping (such as a copper plumbing system), install a ground clamp or jumper wiring.

**NOTE: If replacing an existing filter, also replace the ground clamps/wire.**

7. **DRAIN LINE:** First, be sure that the drain can handle the rinse rate of the system. At the bottom of the tank is a 1" NPT socket to accommodate a drain. The purpose of the drain is to manually (or automatically, if desired) rinse the filter tank and cartridge of any debris. This can prolong the life of the cartridge. It is highly recommended to provide a means to drain the tank and to relieve pressure for cartridge replacement.



**CAUTION: If a drain is not used or the installation makes this unavailable, the 1" hole must be plugged or water will flow from this outlet.**

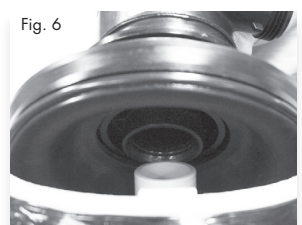
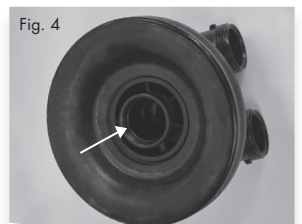
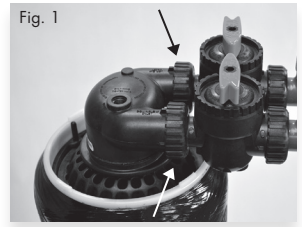


# CARTRIDGE REPLACEMENT INSTRUCTIONS FOR CW-840-1

1. Turn off water supply to vessel using bypass inlet and outlet lines.  
**See page 4 for bypass diagrams.**
2. Release pressure on system by opening bottom drain for a moment, then close. If bottom drain is not installed, turn off water to inlet side of filter and open an outlet line to the filter.
3. Disconnect bypass from valve assembly using the nuts at the inlet and outlet head assembly (**see Fig. 1**). Be careful not to disconnect the nuts at the plumbing lines as these are under pressure.
4. Remove retaining ring which holds top cap in place (**see Fig. 2**). Push down on top cap equally to unseat the ring. To remove, pull on retaining ring handle by pulling inward and then upward. This will release ring from grooved seal.

**CAUTION: Do not remove retaining ring without relieving pressure from system.**

5. Remove top cap by pulling upward on head assembly.
6. Carefully remove old cartridge from system (**see Fig. 3**). The cartridge will contain water and will splash or drip. Place used cartridge into a 5 gallon bucket to protect area from water damage.
7. Remove new cartridge filter from box and remove plastic covering. Locate product description tag and keep for future use.
8. Lubricate O-ring in valve assembly to ensure proper sealing (**see Fig. 4**).  
**Do not use pipe dope, Vaseline, oils or other unacceptable lubricants on O-rings.** Food grade silicone lubricant is recommended.
9. Place cartridge into filter housing with “distributor riser” at the top of the tank (**see Fig. 5**).
10. Carefully replace top cap assembly making sure that the adaptor slips into the top cap assembly. Push down on head assembly firmly. This will make room for replacement of ring assembly (**see Fig. 6**).
11. Attach product description tag to retaining ring for future reference (**see Fig. 7**). Insert retaining ring into ring groove, starting at the end opposite of the handle. Gently push retaining ring into groove until the entire ring is in place and both ends meet in the groove section. To ensure proper engagement, hold retaining ring by handle and slightly rotate around the inner diameter of the cartridge tank.
12. Reconnect cartridge tank to bypass valve by securing nuts.
13. Open a treated water line and turn bypass valve to the service position (**Fig. 1 on page 4**) and allow water to fill tank slowly. Once water is flowing to treated water faucet, observe tank for any leaks.
14. Shut treated water line off to check for leaks and ensure system integrity.



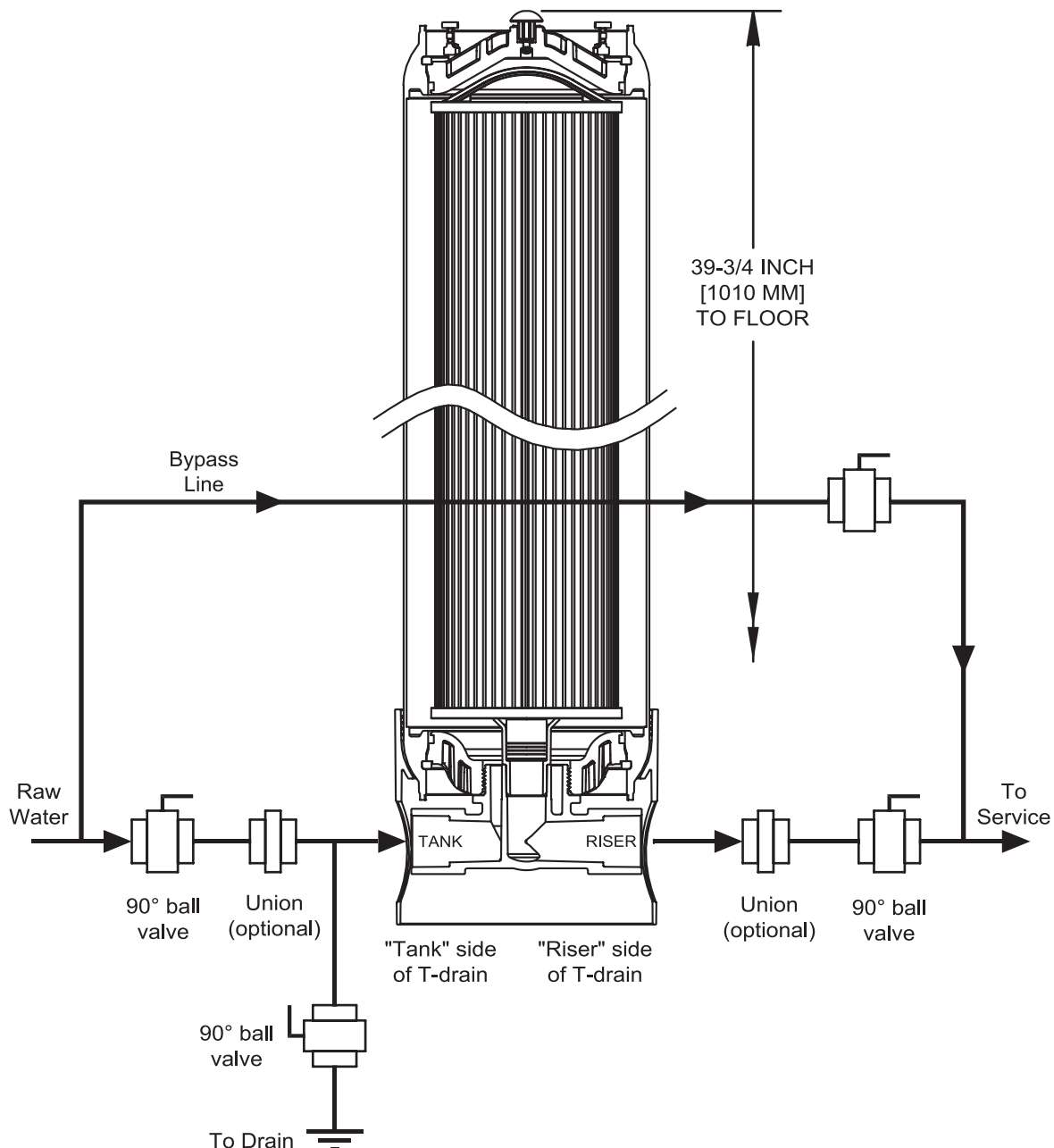
## INSTALLATION INSTRUCTIONS FOR EF-840-2

Provisions should be made to install three bypass valves around the EF-840-2 cartridge filter tank. Because of the pipe size, this will need to be created on the job site. Any piping materials may be used; however, be sure to observe local plumbing codes. These bypass valves should allow for water to be turned off to the filter tank for future cartridge replacement and allow for system bypassing should other service be required.

A drain should be considered in the plumbing of the system as per diagram below. Opening the drain valve will allow for flushing of the cartridge. The system and replacement cartridges must be flushed for ten minutes prior to use. Closing inlet and outlet valve and opening drain will relieve pressure on filter tank for cartridge replacement.

If the cartridge tank is rinsed periodically, it is important to install the cartridge tank as close to the drain as possible. This rinsing can prolong the life of the cartridge. The drain port can also be used to relieve pressure and drain water from the tank during cartridge filter replacement.

Be sure to observe local and applicable plumbing codes.



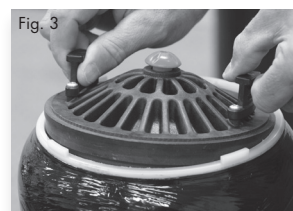
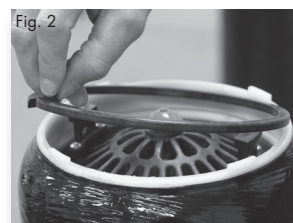


# CARTRIDGE REPLACEMENT INSTRUCTIONS FOR EF-840-2

## REMOVAL AND INSTALLATION OF CARTRIDGE

**Note: Some steps regarding removal may be omitted if installing a cartridge into a new system.**

1. Turn off water supply to system by shutting off inlet and outlet valves.
2. Properly depressurize system by pushing red depressurization button on top cap of system. Keep button pushed until all air or water pressure is completely released. If a drain is installed, open drain valve.
3. Push top cap down equally with both hands to unseat retaining ring. Remove ring from groove by carefully grasping handles and pulling inward then upward. Ring will slide completely out of groove (**see Fig. 1-2**).
4. Remove top cap of system by lifting up on top handles (**see Fig. 3**).
5. Remove replacement cartridge carefully from bag. Retain bag for disposal of used cartridge.
6. Remove used cartridge from system by grasping handle and pulling upward while holding the tank down (**see Fig. 4**). Place in bag and dispose of in accordance with local, state and federal laws and regulations.
7. If necessary, flush system further with a bucket of water to remove final sediment and particles. Once flushed, close drain line.
8. Lubricate O-rings on cartridge to ensure proper sealing. **Do not use pipe dope, Vaseline, oils or other unacceptable lubricants on O-rings.** Food grade silicone lubricant is recommended.
9. Insert cartridge into bottom center of tank, assuring proper seal and alignment by pushing down gently until fully seated (**see Fig. 4**).
10. Attach product description tag to retaining ring handle for future reference (**see Fig. 5**).
11. Replace top cap of tank using top handles.
12. Push top cap down to make room for placement of retaining ring in ring groove.
13. Insert retaining ring into ring groove, starting at the end opposite of the handle. Using only hands, gently push retaining ring into groove until entire ring is in place and both ends meet in groove section (**see Fig. 6**).
14. To ensure proper engagement, hold retaining ring by handle and slightly rotate retaining ring around inner diameter of vessel.
15. Slowly turn water supply on to system by first opening inlet valve and pressing red depressurization valve to completely vent tank of trapped air. When water leaks out of depressurization valve, stop pressing button and open outlet valve.
16. Check system for leaks and ensure system integrity.



# CW-840-PB CONTAMINANT REDUCTION SYSTEM

## CONTAMINANT REDUCTION SYSTEM REQUIREMENTS

In order to qualify as a “certified” contaminant reduction system, a water treatment system must meet the requirements set forth on the preceding pages. Water-Right has certified the individual components of the system outlined below. To complete the system, the installing dealer must follow some simple guidelines.

- Proper Installation of an accompanying, qualifying certified softener or backwashing filter equipped with a service alarm. In a contaminant reduction system, this unit is referred to as a Performance Indicating Device (PID). A PID must be able to meter the amount of water flowing through the unit as well as alarm once the capacity of the unit has been reached (See the service alarm section for more details). On Water-Right controllers, the term “Service Alarm” has been used in lieu of “Performance Indicating Device”. Both terms refer to the same component in a contaminant reduction system and are used interchangeably.
- If a PID (service alarm) is not installed on the accompanying equipment, the CT-05-CB-AMCY-IO cartridge is only certified to 50,000 gallons. It will be required to change out the cartridge more frequently.
- Proper installation of the ONE cartridge tank in which the contaminant reduction cartridge filter (cartridge filter model No. CT-05-CB-AMCYL-IO) is installed into.
- Proper setting of the service alarm (PID).
- Proper labeling of the cartridge tank.

## PERFORMANCE INDICATING DEVICE (PID)

To qualify as a certified contaminant reduction system to 100,000 gallons, the ONE cartridge tank must be installed with a contaminant reduction cartridge and a PID. This device is used to notify the user of cartridge life and to signal when a cartridge needs to be replaced.

Water-Right has taken additional steps and certified the meter of its softeners and backwashing filters for this use. Any softener or backwashing filter manufactured by Water-Right using our 1” meter that incorporates the service alarm feature satisfies the PID requirement of certification. This certification is specific to Water-Right manufactured products and our 1” meters. Please consult Water-Right’s customer service department for any questions regarding this requirement.

## INSTALLATION

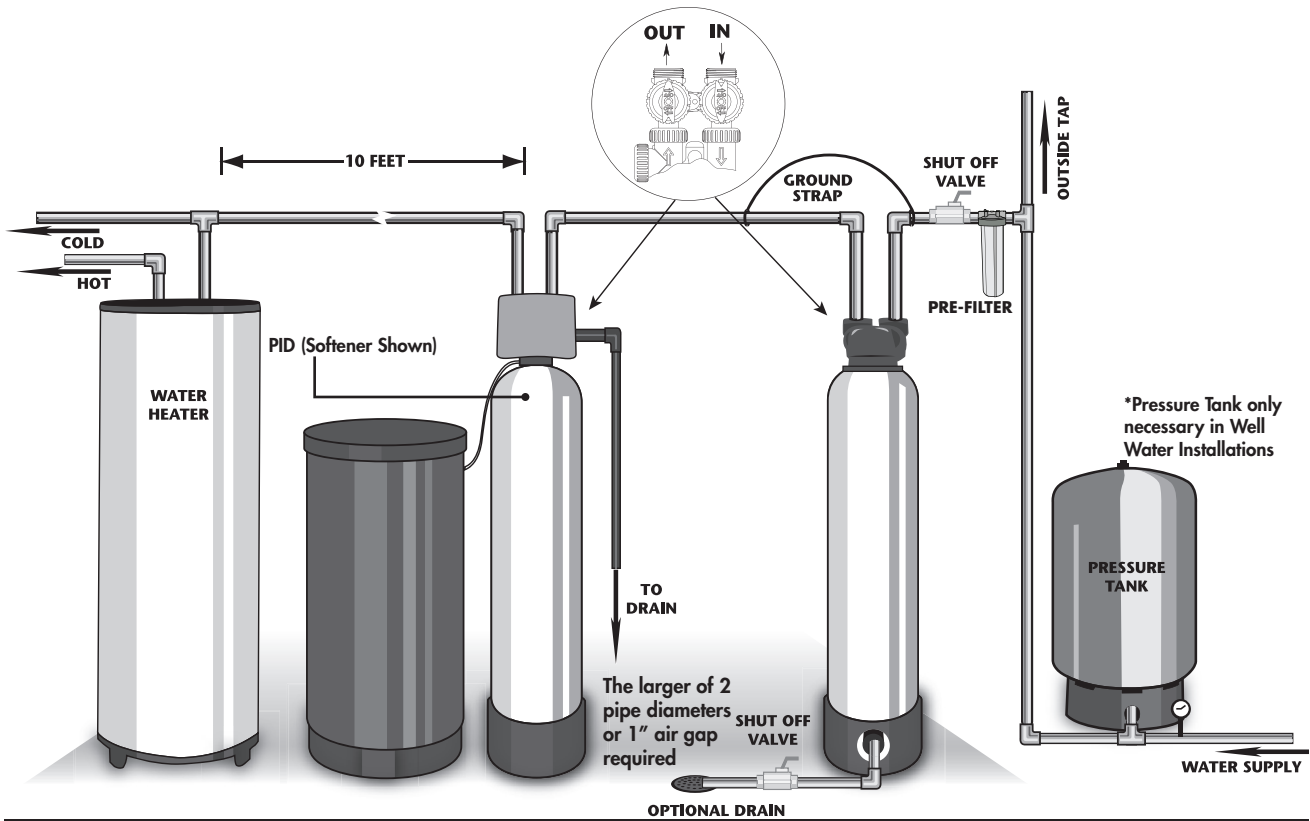
Installation of the ONE filter housing is covered on previous pages in this manual and must be installed in conjunction with a qualifying Softener and/or Backwashing Filter. Without the qualifying softener or backwashing filter, the system is not certified.

Installation instructions of the qualifying softener or backwashing filter is specific to those models. Refer to the appropriate installation and service manuals included with that unit.

The ONE cartridge tank may be installed pre or post softener or backwashing filter. However, it is necessary to make sure that all treated water through the ONE cartridge is metered through the PID. In municipal applications, it is most likely that the ONE filter housing with a contaminant reduction cartridge will be used prior to a softener. Please see installation diagram on following page.

**NOTE: On waters that are turbid or where the quality is in question, it may be necessary to install a pre-filter before the lead cartridge system to protect the life of the cartridge (See Contaminant Reduction Installation Diagram). Turbidity may prematurely plug the cartridge before its 100,000 gallon contaminant reduction rating. This may cause a low pressure drop before the rated lead capacity is achieved. Installing an additional ONE Cartridge Filter or a Big Blue Dual Gradient (25 to 1 micron) sediment filter will enhance the life of the cartridge. Water-Right is not responsible for decreased performance due to pressure drops.**

# CW-840-PB CONTAMINANT REDUCTION SYSTEM



## CONTAMINANT REDUCTION INSTALLATION

In well water applications it may be necessary to deploy the ONE cartridge tank with a contaminant reduction cartridge after a qualifying backwashing filter. This is to protect the lifespan and capacity of the contaminant reduction cartridge.

**NOTE: It is necessary that all treated water from the ONE cartridge tank flows through the meter of the associated unit. This is to ensure proper recording of gallons used through the meter.**

### SERVICE ALARM

The service alarm on the qualifying softener or backwashing filter must set to 100,000 gallons. This indicates the life of the cartridge. Once 100,000 gallons has been reached, the controller will display a "Call Dealer For Service" message on the display of the controller along with an audible alarm on some models. After triggering, the audible alarm may be turned off by pushing any button on the front of the controller. This will only disable the audible portion of the alarm. The display will continue to display "service is required".

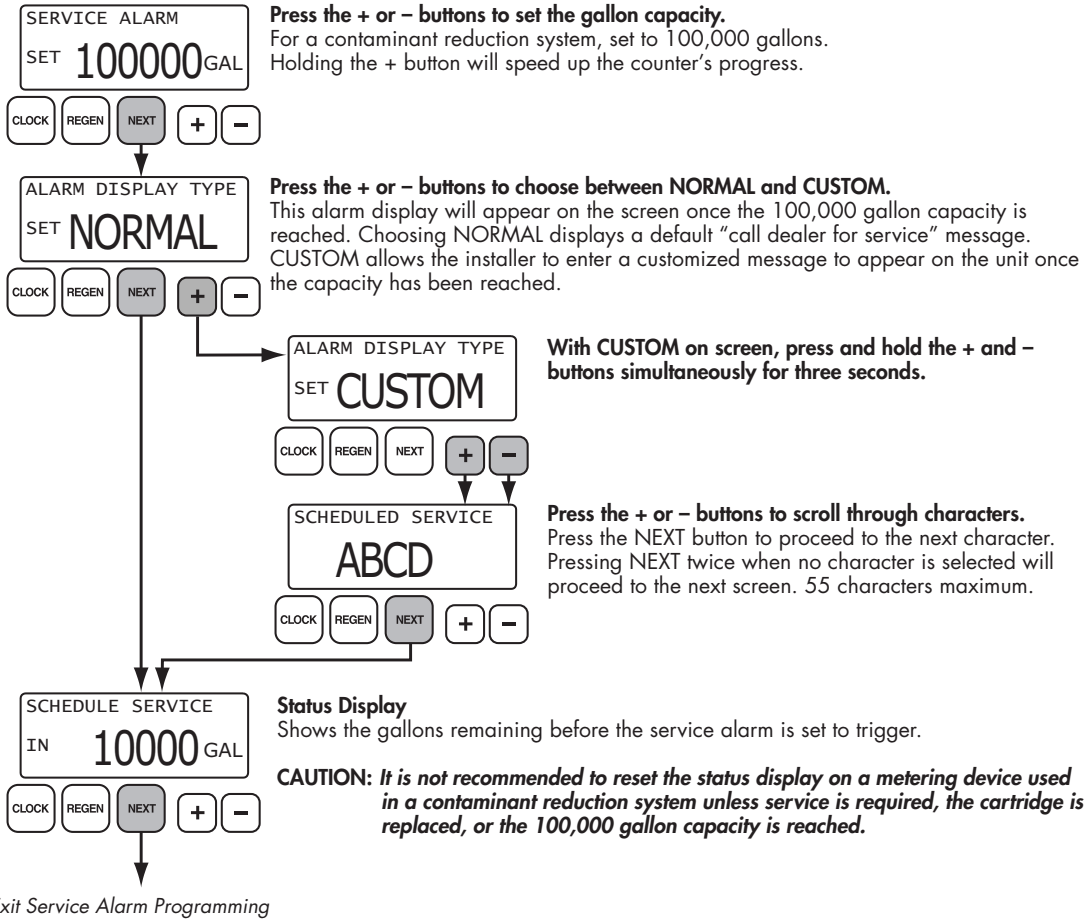
Call servicing dealer for cartridge replacement and to reset the service alarm.

# CW-840-PB CONTAMINANT REDUCTION SYSTEM

## SETTING SERVICE ALARM FOR CONTAMINANT REDUCTION SYSTEM

Setting the service alarm is mandatory in order to fulfill the certification requirements. This may be accomplished by consulting the installation manual or master programming guide for units equipped with service alarms. The service alarm should be set and reset once replacement has been performed.

Follow the instructions below for programming a service alarm for the metering unit.



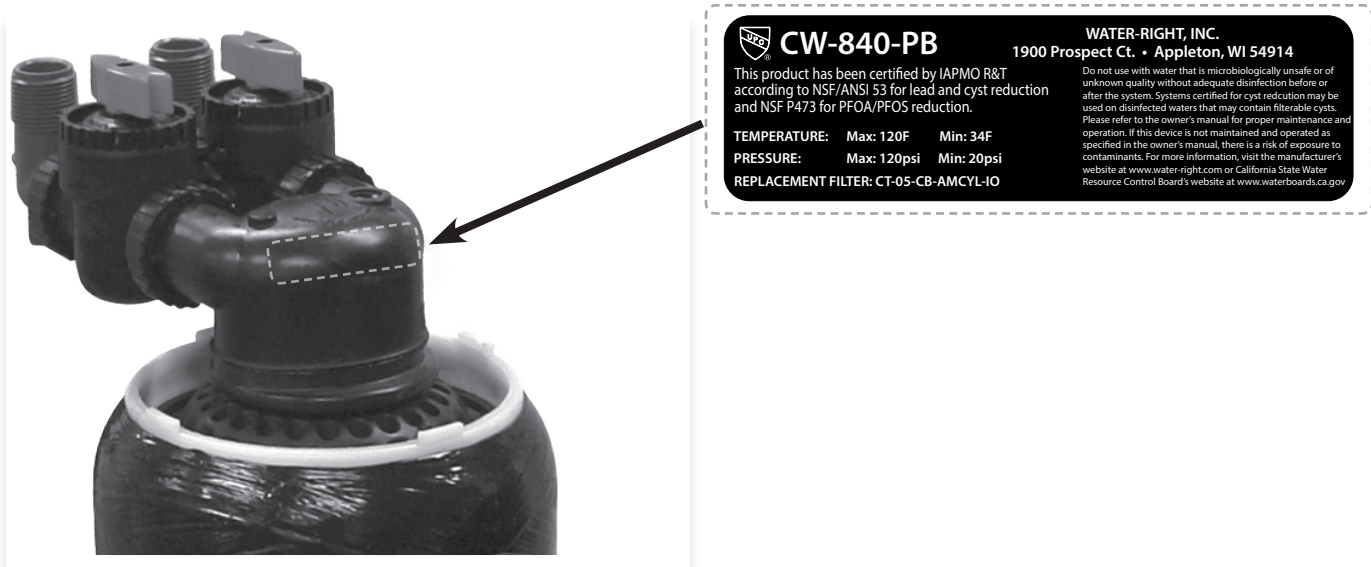
# CW-840-PB CONTAMINANT REDUCTION SYSTEM

## LABELING

A certified contaminant reduction system is comprised of a ONE cartridge tank, a contaminant reduction cartridge (CT-05-CB-AMCYL-IO), and a qualifying softener or filter with a PID.

This certification is recognized by a certification label placed on the front of the IN/OUT head as shown below. This Label Part Number CW-840-PB may only be used with a certified system that meets all of the requirements above.

The labeling consists of the model number of the system, a certification statement, the replacement cartridge model number, and information that is specific to the system.



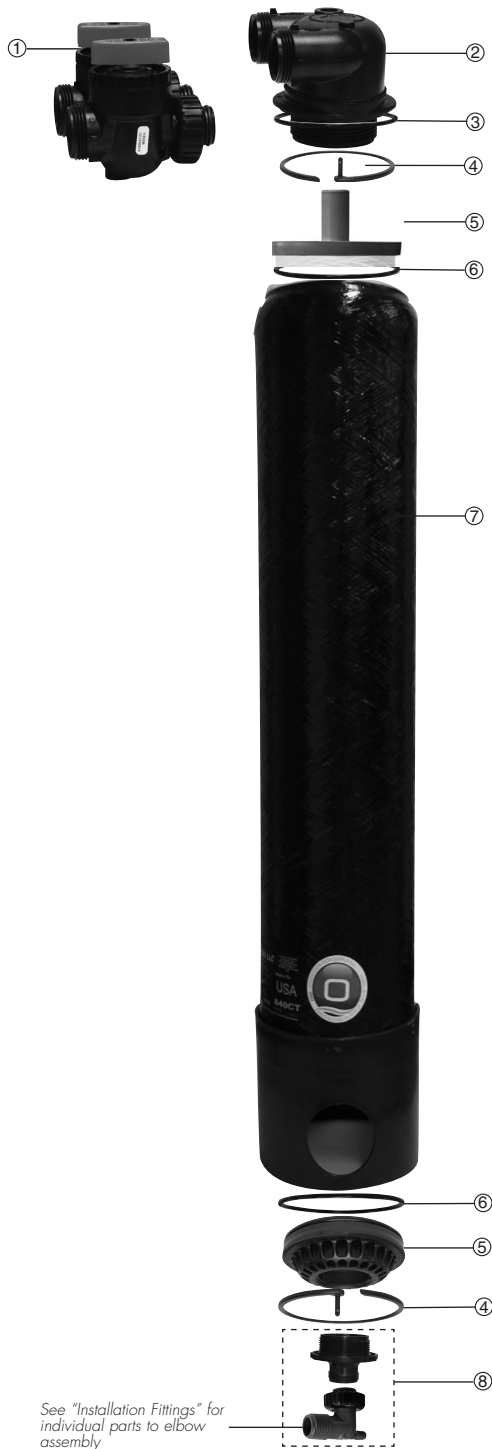
The system is deemed certified once all of the preceding requirements have been met. On initial setup, upon verifying all requirements have been met, the included label must be placed on the IN/OUT head in the position shown above. It is not required to re-label the system when performing service.

# TROUBLESHOOTING GUIDE

<b>PROBLEM</b>	<b>CAUSE</b>	<b>CORRECTION</b>
<i>Lack of pressure from system</i>	A. Cartridge fouled out	A. Replace cartridge
	B. Exceeded flow rate of cartridge	B. Substitute cartridge for higher flowing unit
	C. Inlet to tank is plugged	C. Clean inlet of debris
<i>Cartridge life too short</i>	A. Too small micron rating	A. Choose different size or use multiple tanks
	B. Very heavy loading	B. Check raw water for particles
	C. Excessive water flow through cartridge	C. Check gallons consumed
<i>Plugged drain</i>	A. Not flushed often enough	A. Flush more frequently
<i>Water leak at depressurization button (EF-835-2 only)</i>	A. O-ring leak	A. Replace depressurization button

# REPLACEMENT PARTS

## CW-840-1



### CW-840-1 REPLACEMENT PARTS

Item No.	Part No.	Description	Qty.
1	CV3006	WS1 bypass valve assembly	1
2	CD1400-03	1191 in/out head 1.32mm	1
3	CV3180	O-ring	1
4	CT-RETAINGRING	Retaining ring for top and bottom	2
5	CT-2.5LID	Filter plug for 2.5" drain	2
6	R-ORING LID	O-ring replacement for all lids/caps	2
7	Z00840XBK00	8" x 40" vessel shell w/base	1
8	CD1287	1" PVC male NPT bottom assembly	1

## EF-840-2



### EF-840-2 REPLACEMENT PARTS

Item No.	Part No.	Description	Qty.
1	CT-RETAINGRING	Retaining ring for top and bottom	2
2	CT-1/4NPTLID	Top cap with pressure release	1
3	R-ORING LID	O-ring replacement for all lids/caps	2
4	Z00840XBK00	8" x 40" vessel shell w/base	1
5	CT-4.5LID	Threaded top and bottom commercial cap	1
6	CT-4.5ADAPTER	Filter adapter	1
7	CT-4.5DRAIN	Filter plumbing for 4.5" drain	1

# REPLACEMENT PARTS

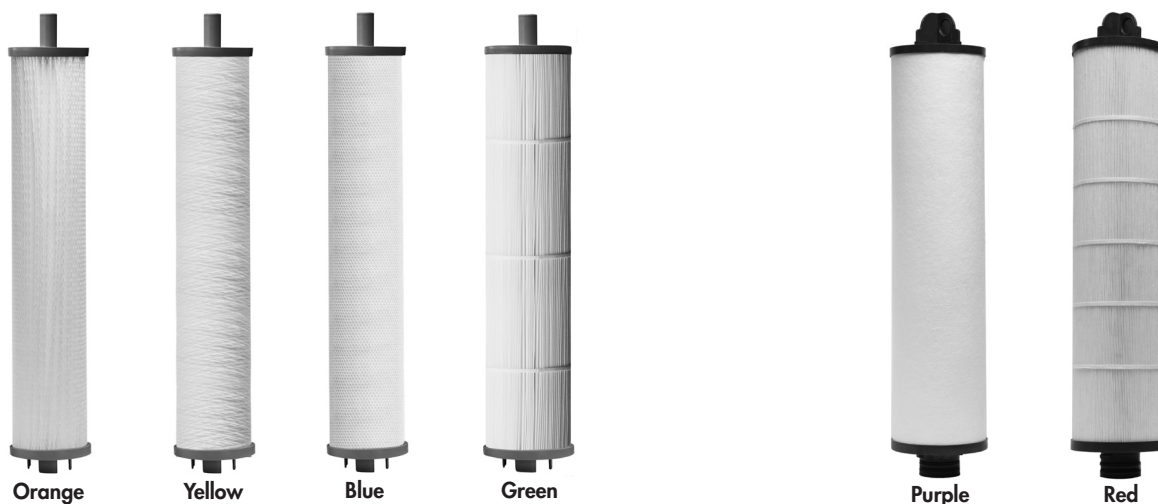
## CW-840-1 REPLACEMENT CARTRIDGES

Part No.	Description	Qty.
<b>DOUBLE PLEATED DEPTH FILTERS (ORANGE)</b>		
CT-1005-IO	10 x 5 Micron Double Pleated	1
CT-2010-IO	20 x 10 Micron Double Pleated	1
CT-5020-IO	50 x 20 Micron Double Pleated	1
<b>STRING WOUND/MELTBLOWN DEPTH FILTERS (YELLOW)</b>		
CT-2005-SWMB-IO	20 x 5 Micron String Wound/Meltblown	1
CT-5020-SWMB-IO	50 x 20 Micron String Wound/Meltblown	1
<b>CARBON BLOCK FILTERS (BLUE)</b>		
CT-03-CB-IO	3 Micron Carbon Block	1
CT-20-CB-IO	20 Micron Carbon Block	1
CT-03-CB-AMINE-IO	3 Micron Carbon Block Chloramine Reduction	1
CT-05-CB-AMCYL-IO	0.5 Micron Carbon Block Contaminant Reduction	1
<b>NANO AL FILTERS (GREEN)</b>		
CT-20NANO-AL-IO	20 x Nano AL	1

## EF-840-2 REPLACEMENT CARTRIDGES

Part No.	Description	Qty.
<b>MELTBLOWN POLYPROPYLENE DEPTH FILTER (PURPLE)</b>		
CT-COM05P	5 Micron Pleated Polypropylene	1
CT-COM20P	20 Micron Pleated Polypropylene	1
<b>PLEATED POLYPROPYLENE FILTERS (RED)</b>		
CT-COM1AP	1 Micron Absolute Pleated Polypropylene	1
CT-COM50P	50 Micron Pleated Polypropylene	1
CT-COM150P	150 Micron Pleated Polypropylene	1
CT-COM-CARBP	Pleated Activated Carbon Polypropylene	1
CT-COM05-MB	5 Micron Meltblown Polypropylene	1
CT-COM20-MB	20 Micron Meltblown Polypropylene	1

Replacement components available through your local dealer.



## CONTAMINANT REDUCTION CARTRIDGE SPECIFICATIONS

This system has been tested according to NSF/ANSI 53 or NSF P473 for reduction of the substances listed below. The concentration of the indicated substances in water entering the system was reduced to a concentration less than or equal to the permissible limit for water leaving the system as specified in the standards. Minimum substance reductions per NSF/ANSI 53 and NSF P473 are as follows

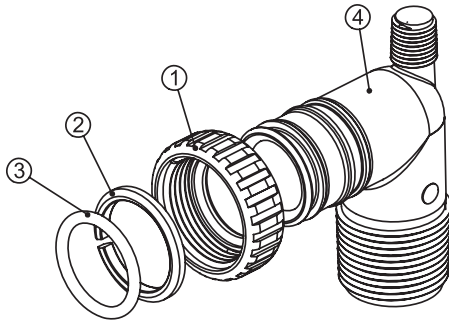
CW-840-PB	Contaminant	Rated Flow	Pressure Drop (PSI)	Capacity (Gallons)	Influent Challenge Water	Max Allowed in Effluent Water	Average Percent Reduction (%)	Peak Flow/Capacity
	Lead	4.51 GPM	9.0	100,000	0.15 +/- 10% mg/L	0.01 mg/L	99.62	8 GPM/ 88,000 GAL
	PFOA/PFOS	4.51 GPM	9.0	100,000	1.5 +/- 10% ug/L	0.07 ug/L	98.18	
	Cyst	4.51 GPM	9.0	100,000	Min 50,000 / L	-	99.95	
Minimum Operating Temperature	Maximum Operating Temperature	Minimum Operating Pressure	Maximum Operating Pressure					
34F / 1C	120F / 50C	20psig / 1.38 bar	125psig / 8.6 bar					
<b>Filter Replacement Operating Instructions:</b> New cartridges must be flushed for a minimum of 10 minutes prior to use. System and installation to comply with state and local laws and regulations. Manufactured from NSF/ANSI standard 61 and California Prop 65 Compliant certified coconut shell carbon and raw materials.								

This system conforms to NSF/ANSI 53 and NSF P473 for the specific performance claims verified and substantiated by test data. Performance claims are based on independent lab results. Actual performance is dependent on influent water quality, flow rates, system design, and applications. Your results may vary. Performance claims are based on a complete system including a filter, housing, and connection to a pressurized water source. This filter must be operated according to the system's specifications in order to deliver the claimed performance. It is essential to follow operational, maintenance, and filter replacement requirements as directed. The contaminants or other substances removed or reduced by this water filter are not necessarily in all users' water.

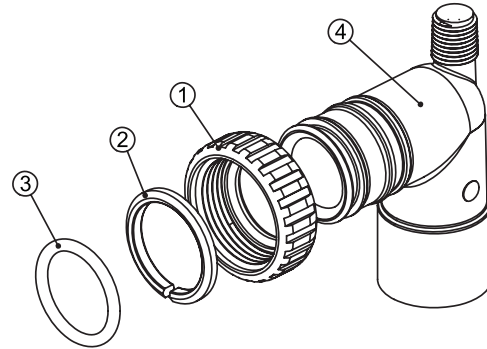


# INSTALLATION FITTING ASSEMBLIES

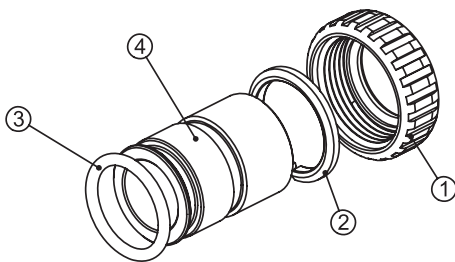
**NOTE:** Not all available fittings are displayed below. Contact manufacturer for optional fittings.



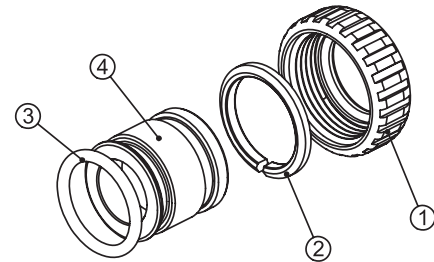
1" PVC MALE NPT ELBOW			
Item No.	Part No.	Description	Qty.
	CV3007	1" PVC male NPT elbow assembly	2
1	CV3151	Nut, 1" quick connect	2
2	CV3150	Split ring	2
3	CV3105	O-ring 215	2
4	CV3149	Fitting	2



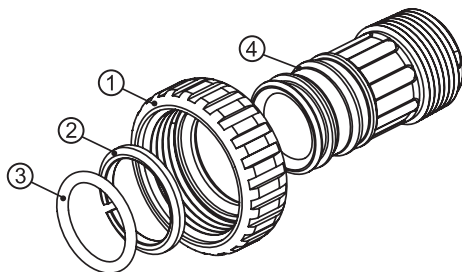
3/4" & 1" PVC SOLVENT ELBOW			
Item No.	Part No.	Description	Qty.
	CV3007-01	3/4" & 1" PVC solvent elbow assembly	2
1	CV3151	Nut, 1" quick connect	2
2	CV3150	Split ring	2
3	CV3105	O-ring 215	2
4	CV3189	Fitting	2



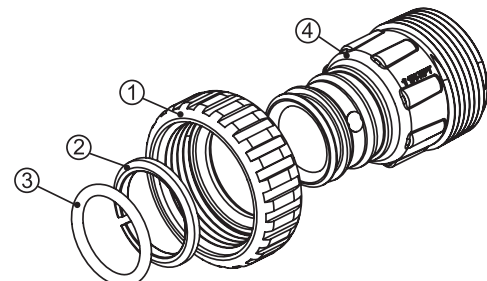
1" BRASS SWEAT			
Item No.	Part No.	Description	Qty.
	CV3007-02	1" brass sweat assembly	2
1	CV3151	Nut, 1" quick connect	2
2	CV3150	Split ring	2
3	CV3105	O-ring 215	2
4	CV3188	Fitting	2



3/4" BRASS SWEAT			
Item No.	Part No.	Description	Qty.
	CV3007-03	3/4" brass sweat assembly	2
1	CV3151	Nut, 1" quick connect	2
2	CV3150	Split ring	2
3	CV3105	O-ring 215	2
4	CV3188-01	Fitting	2



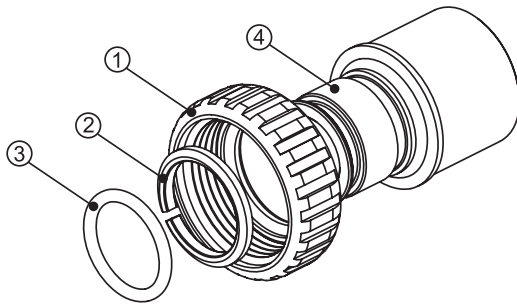
1" PLASTIC MALE NPT			
Item No.	Part No.	Description	Qty.
	CV3007-04	1" plastic male NPT assembly	2
1	CV3151	Nut, 1" quick connect	2
2	CV3150	Split ring	2
3	CV3105	O-ring 215	2
4	CV3164	Fitting	2



1-1/4" PLASTIC MALE			
Item No.	Part No.	Description	Qty.
	CV3007-05	1-1/4" plastic male assembly	2
1	CV3151	Nut, 1" quick connect	2
2	CV3150	Split ring	2
3	CV3105	O-ring 215	2
4	CV3317	Fitting	2

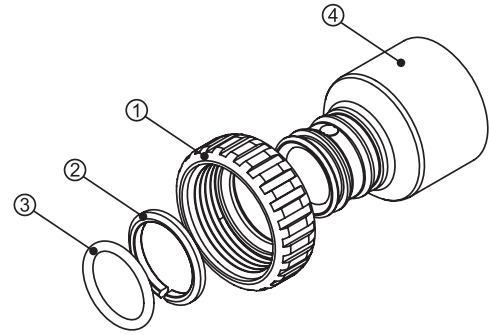
# INSTALLATION FITTING ASSEMBLIES

NOTE: Not all available fittings are displayed below. Contact manufacturer for optional fittings.



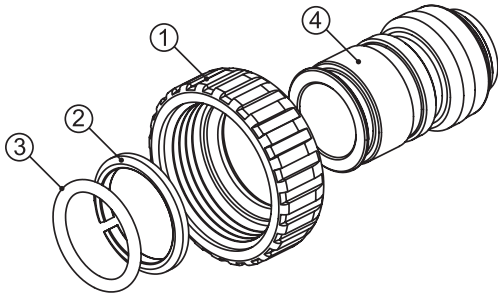
## 1-1/4" & 1-1/2" BRASS SWEAT

Item No.	Part No.	Description	Qty.
	CV3007-09	1-1/4 & 1-1/2" brass sweat assembly	2
1	CV3151	Nut, 1" quick connect	2
2	CV3150	Split ring	2
3	CV3105	O-ring 215	2
4	CV3375	Fitting	2



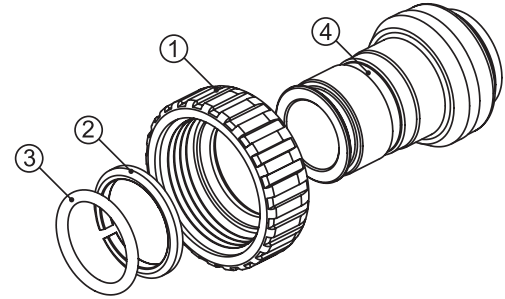
## 1-1/4" & 1-1/2" PVC SOLVENT

Item No.	Part No.	Description	Qty.
	CV3007-07	1-1/4" & 1-1/2" PVC solvent assembly	2
1	CV3151	Nut, 1" quick connect	2
2	CV3150	Split ring	2
3	CV3105	O-ring 215	2
4	CV3352	Fitting	2



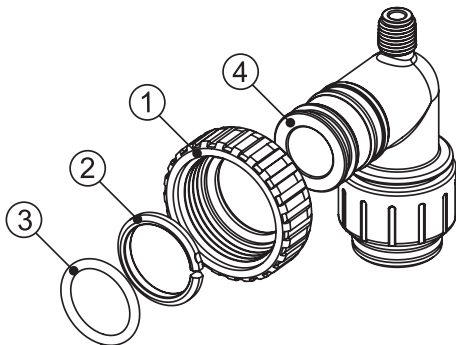
## 3/4" BRASS SHARK BITE

Item No.	Part No.	Description	Qty.
	CV3007-12	3/4" brass Shark Bite assembly	2
1	CV3151	Nut, 1" quick connect	2
2	CV3150	Split ring	2
3	CV3105	O-ring 215	2
4	CV3628	Fitting	2



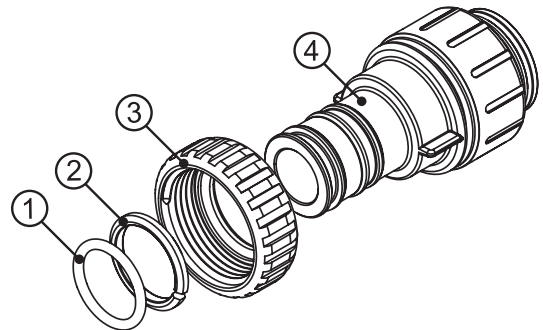
## 1" BRASS SHARK BITE

Item No.	Part No.	Description	Qty.
	CV3007-13	1" brass Shark Bite assembly	2
1	CV3151	Nut, 1" quick connect	2
2	CV3150	Split ring	2
3	CV3105	O-ring 215	2
4	CV3629	Fitting	2



## 3/4" JOHN GUEST ELBOW

Item No.	Part No.	Description	Qty.
	CV3007-15	3/4" John Guest elbow assembly	2
1	CV3151	Nut, 1" quick connect	2
2	CV3150	Split ring	2
3	CV3105	O-ring 215	2
4	CV3790	Fitting	2



## 1" JOHN GUEST

Item No.	Part No.	Description	Qty.
	CV3007-17	1" John Guest assembly	2
1	CV3151	Nut, 1" quick connect	2
2	CV3150	Split ring	2
3	CV3105	O-ring 215	2
4	CV4045	Fitting	2



**Water-Right Inc.**

**ONE Filtration Limited Warranty**

Congratulations. You have purchased one of the finest water treatment systems available. In the unlikely event of a problem due to defects in material and workmanship, we proudly warrant our water filters to the original owner, when installed in accordance with Water-Right® specifications. This warranty is effective from the date of original installation for:

**A period of ONE YEAR: WATER-RIGHT INC. warrants its tank and filter solutions to be free of defects in material and workmanship.**

**A period of FIVE YEARS: WATER-RIGHT INC. warrants its IN/OUT head assemblies to be free of defects in material and workmanship.**

This warranty does not cover any equipment purchased for use in applications in which the product is not suited. It is the responsibility of the buyer to determine if a product is suitable for a particular application.

Our obligations under this warranty are limited to the repair or replacement (at WATER-RIGHT's sole discretion) of the failed parts of the water treatment unit manufactured by WATER-RIGHT, and we assume no liability whatsoever for direct, indirect, incidental, consequential, special, general or other damages.

We assume no liability for the determination of the proper equipment necessary to meet your requirements, and we do not authorize others to assume such obligations for us.

We assume no liability and extend no warranties, expressed or implied, for the use of this product with a non-potable water source or a water source which does not meet the conditions for use described in the owner's guide or performance data sheet for the product.

The warranty provided herein applies, only when used within the product specifications and service life, from the date of installation, beyond which WATER-RIGHT INC. is absolved of any and all liability for any use of the product. There are no other warranties, either of merchantability or fitness, either expressed or implied.

This warranty gives you specific legal rights and you may also have other rights which vary from state to state

**THIS WARRANTY EXCLUDES THE FOLLOWING:**

- Damage caused by improper installation, operation or care.
- Damage caused by chemical attack, environment, accident, fire, flood, freezing, Act of God, misuse, misapplication, neglect, oxidizing agents (such as chlorine, ozone, chloramines and other related components), alteration, installation or operation contrary to the printed instructions, or by the use of accessories or components which do not meet WATER-RIGHT's specifications, including the use of a replacement element not manufactured or supplied by WATER-RIGHT INC. Refer to the specifications section in the Installation and Operating manual for approved application parameters.
- Modification or alteration by other than WATER-RIGHT INC. employees.
- Rubber type parts and normal wear items i.e. "O" rings, etc...
- Any costs of labor or expenses expended in the removal and/or installation of unit, or any surrounding device.
- Altering or removing the WATER-RIGHT INC. information label.
- Use of non WATER-RIGHT INC. approved cartridges, filters, or replacement parts with the appropriate systems or vessels.
- Non-use of supported piping for plumbing connections to In/Out connections.

Service under this warranty is to be provided by the distributor/installer who sold the unit to the user. If the distributor is unable to provide warranty service, contact:

**Water-Right, Inc.**  
**1900 Prospect Court • Appleton, WI 54914**  
**Toll Free: 800-777-1426 • Fax: 920-739-9406**

A Returned Goods Authorization (RGA) number must be received from the above office and placed on all shipments to and correspondence with WATER-RIGHT INC.

Please be prepared with the following information:

1. Model number and serial number.
2. Date of installation.
3. Name of installer
4. Nature of problem.
5. Your address and contact information.

